

TEMA[®]

Contemporary Furniture

TEMA[®]

Contemporary Furniture



Frequently Asked Questions

Why do I have to Assemble it? **You Don't.**

Choosing to assemble an RTA item yourself saves you the \$25 assembly fee. Our professional service team can assemble anything you purchase from us. Just let us know.

Are RTA Items of Lesser Quality? **No.**

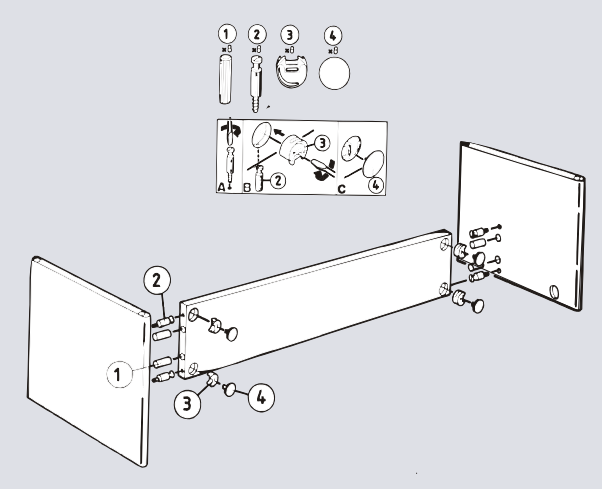
Because consumers carefully inspect each RTA item as they assemble it, the quality of materials and the basic design must withstand much more scrutiny. Some manufacturers simply preassemble their furniture to hide inferior materials & basic design flaws.

What if I get stuck?

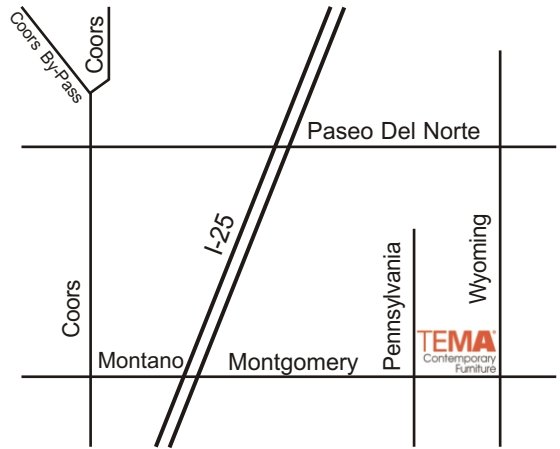
Call us. 1 (505) 275 - 2121
1 (800) 683 - 8362

If you have problems and need assistance feel free to call us. Please have your **instructions** and **receipt number** when you call. We can usually walk you through any problems you encounter. We make every effort to assure that our RTA items are not overly difficult or complex to assemble.

Helpful Assembly Tips For RTA Furniture



Our Stores
7601 Montgomery NE
Albuquerque, NM 87109
Montgomery at Pennsylvania
505.275.2121
(800)683.TEMA



www.temafurniture.com

TEMA flyers are copyright protected.
No reproduction without written permission from
TEMA Contemporary Furniture. Updated 10/26/08

1 Prepare a Work Place

Give yourself plenty of room to spread out and stay organized

Clean your work area of dirt and debris to avoid scratching your project.

Give yourself time. Hurrying will often cause a missed assembly step.

2 Open Box(es)

Do Not Use a Knife.

There are often exposed surfaces that could be damaged by a sharp tool.

Open only one RTA project at a time. Several parts from many different projects may look the same, but they are not.

Locate the Instruction

3 Scan The Instructions

Familiarize yourself with the parts & hardware involved. Get a general feel for the assembly sequence. This will make the project easier & smoother.

Tools you will need:

Phillips Head screwdriver

Flat blade screwdriver

Mallet or Hammer

Pliers

Hex Keys (Allen wrench)

Additional tools may be required.

4 Take a Quick Inventory

Open each bag of smaller parts into separate containers.

Organize the larger parts where you can find them easily.

Look over the instructions to see if there are any obvious parts missing. Count each item. In the rare case something is missing, call us immediately.

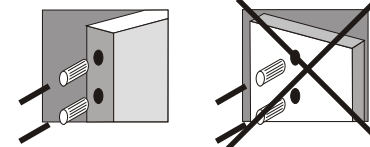
5 Follow The Instructions

Following the steps outlined by the manufacturer in the sequence given will make your RTA project easier.

There are concrete reasons why one step needs to be completed before another. Usually an earlier assembly step one. If you miss a step, then the is covered or hidden by a later furniture cannot be successfully completed.

6 More Helpful Hints

When dowels are used, FIRST fit them deeply into panel ends, **not** panel sides. Damage may result.



YES

NO

Remember to double check that each screw and camlock is tightened.

Don't force parts. If something doesn't fit, refer to instructions. A step might have been missed.